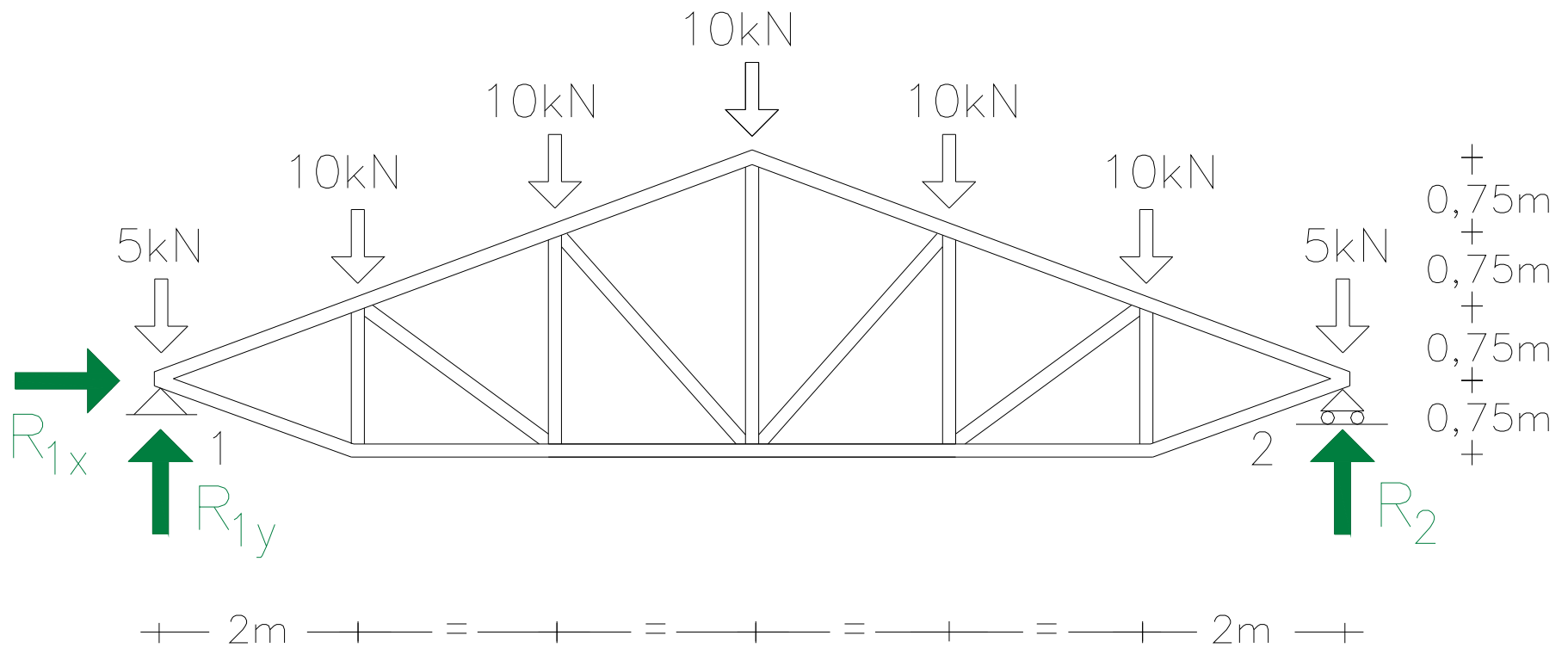
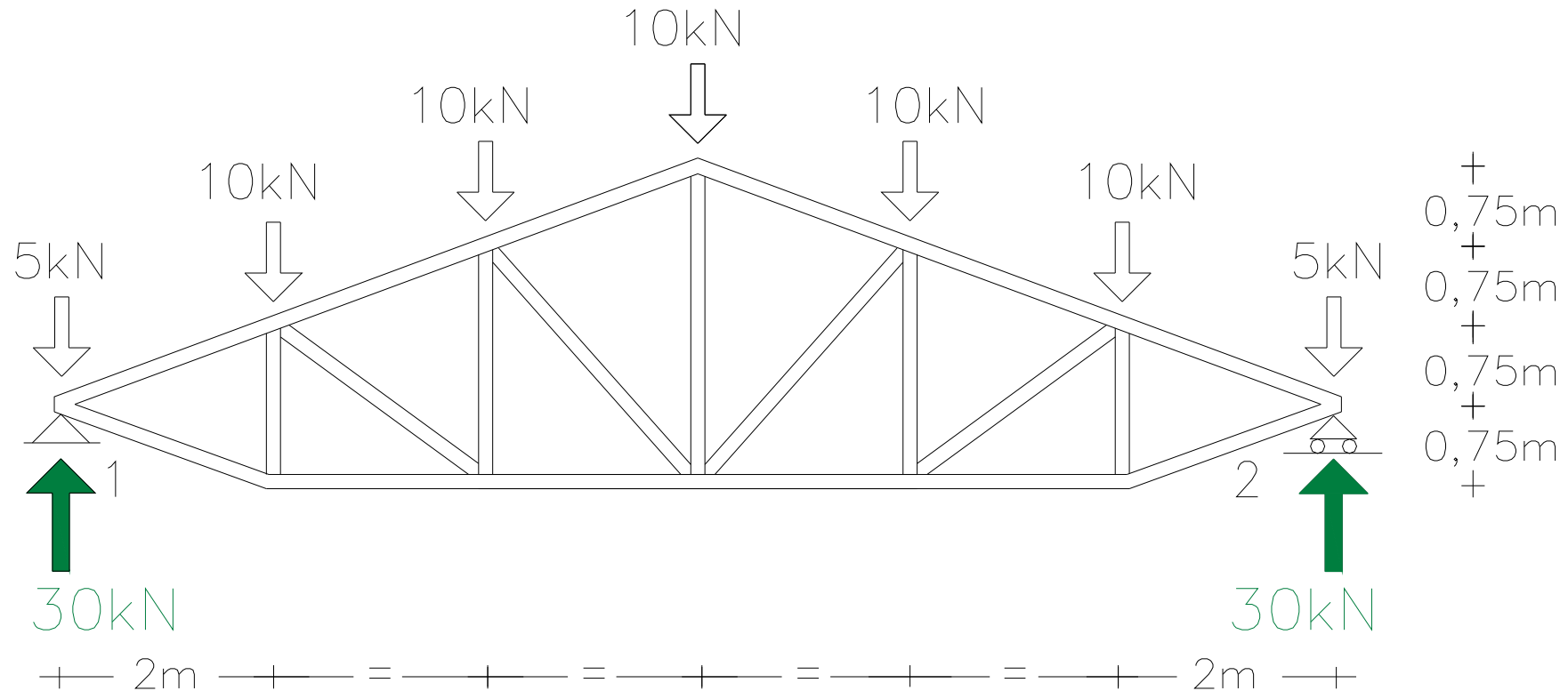


# 2nd solution



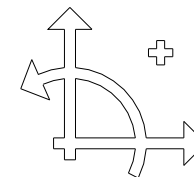
# 'external' forces equilibrium: applied forces → reaction forces



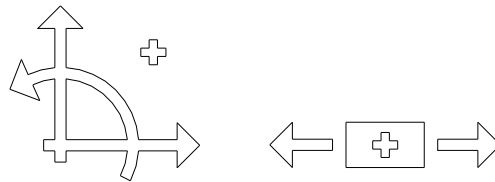
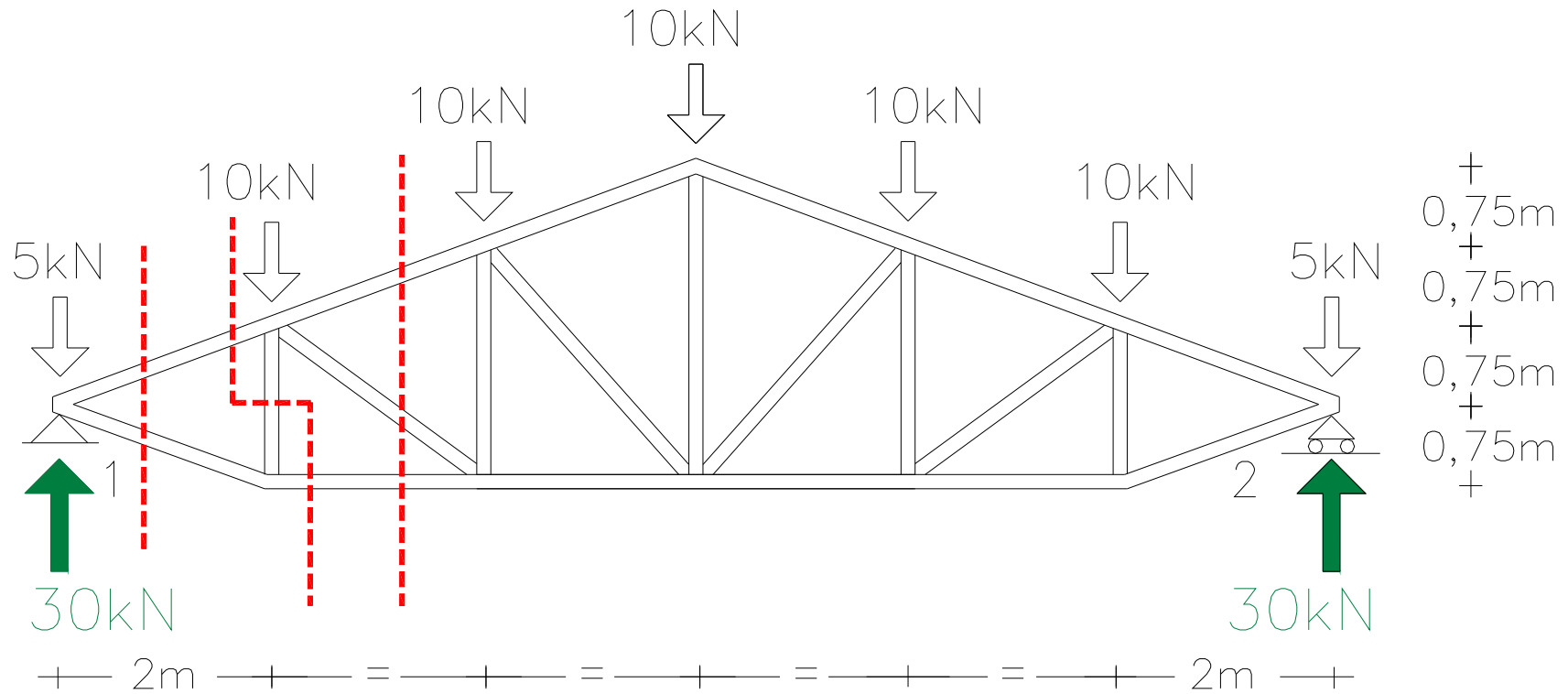
$$R_{1x} = 0$$

$$R_{1y} = 30\text{kN}$$

$$R_2 = 30\text{kN}$$



# 'internal' equilibrium → axial forces



# 2nd solution: axial forces in bars

